

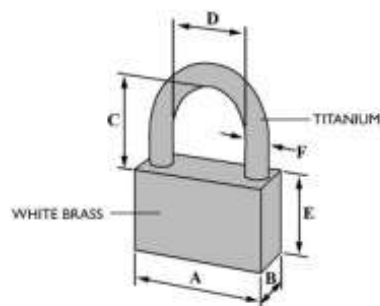


PADLOCK
HARDWARE EXPERT SINCE 1946
CONCERN ON QUALITY

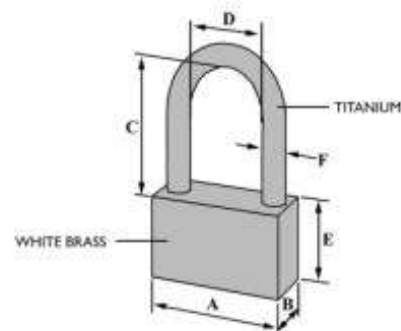
SERIE 101 & 102

- High grade solid white brass body.
- Durable OMGE Black Titanium Technology Shackle, Uncutable.
- Unlocking-system with 320.000 key-variation, protects from unauthorized duplicators.
- Reversible double-security key makes simple to operate.
- With a smart key-hole shutter to protect from dust, corrosiveness and key-hole obstruction.

PLM-101 (STANDARD SHACKLE)



PLM-102 (LONG SHACKLE)



PLM-101 Dimensions :

ITEM	A	B	C	D	E	F
PLM-101-40	40	19	25	21	32	Ø7
PLM-101-50	50	19	30	23	38	Ø10
PLM-101-60	60	19	37	26	45	Ø12
PLM-101-70	70	21	38	31	51	Ø14

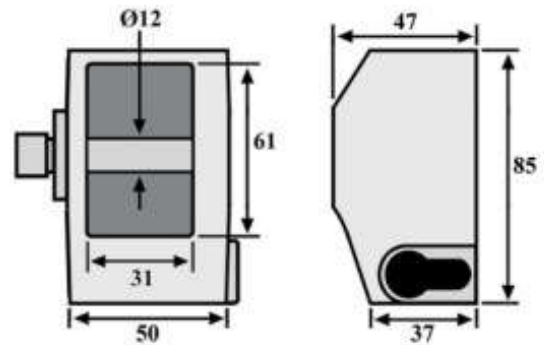
PLM-102 Dimensions :

ITEM	A	B	C	D	E	F
PLM-102-40	40	19	44	21	32	Ø7
PLM-102-50	50	19	54	23	38	Ø10
PLM-102-60	60	19	54	26	45	Ø12
PLM-102-70	70	21	57	31	51	Ø14

SERIE I 88

- High grade Casting SUS304 Stainless Steel body.
- Hardened shackle, anti-sawing, anti-pulling.
- White brass profile cylinder key enabling an integrated master-key system with other locks.
- Two lane pins (4 pins each lane).
- Simple, but modern in performance.

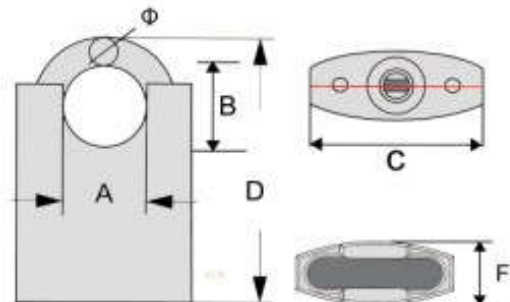
PLM-188



SERIE SS302

- High grade Casting SUS304 Stainless Steel body.
- SUS304 Stainless Steel Shackle.
- Covered shackle, anti-cutting and anti-sawing for maximum security.
- Double-ball shackle locking, contain no springs for a higher pull force capacity.
- Reversible double-security key makes simple to operate.
- 360° rotating disc for extra high security, especially for anti-shelt function.
- Available keyed different, keyed alike and master keyed system.

PLM-SS302



MODEL	BODY			SHACKLE		
	F	B	D	Φ	A	C
PLM-SS302-35	20	10,8	48	6	18,6	35
PLM-SS302-40	21	15,3	55	8	19,6	40
PLM-SS302-50	21	19	60	10	23	50
PLM-SS302-60	21	21	73	12	25,8	60
PLM-SS302-70	23	30,8	88	14	31	70